

Shampoo Bowls

11 META BOWL

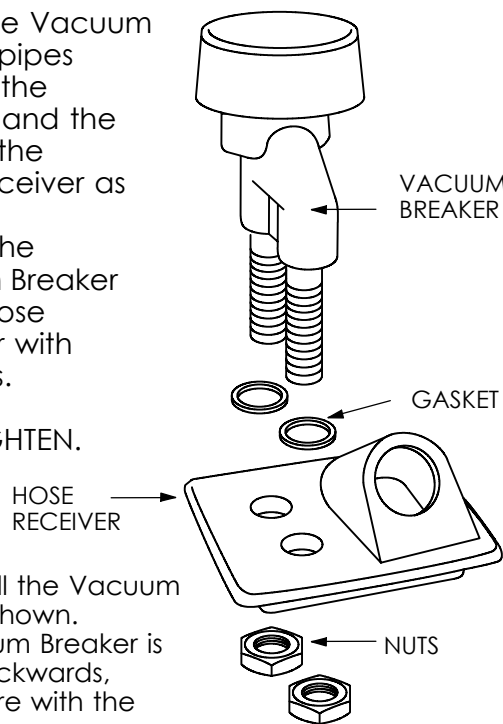
ABS SHAMPOO BOWL WITH VACUUM BREAKER AND MODEL 602T FIXTURE INSTALLATION AND PLUMBING

NOTE: Read the instructions through before starting to familiarize yourself with the components.

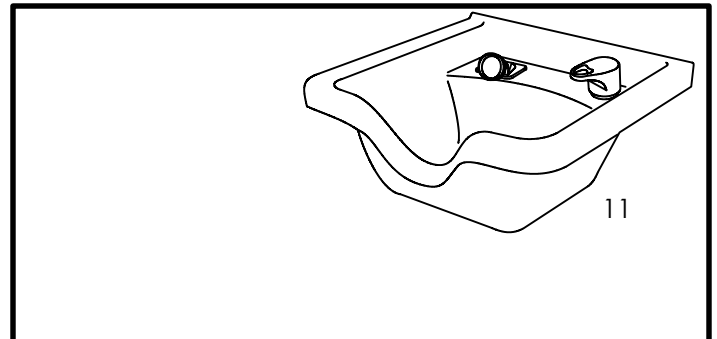
1. Attach the Fixture to the Bowl according to the instructions packed with the Fixture.

ATTACH HOSE RECEIVER TO BOWL (STEPS 2 thru 6).

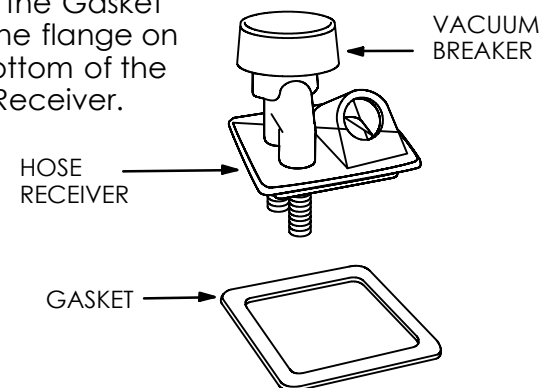
2. Place the Vacuum Breaker pipes through the Gaskets and the holes in the Hose Receiver as shown. Secure the Vacuum Breaker to the Hose Receiver with two Nuts. **DO NOT OVERTIGHTEN.**



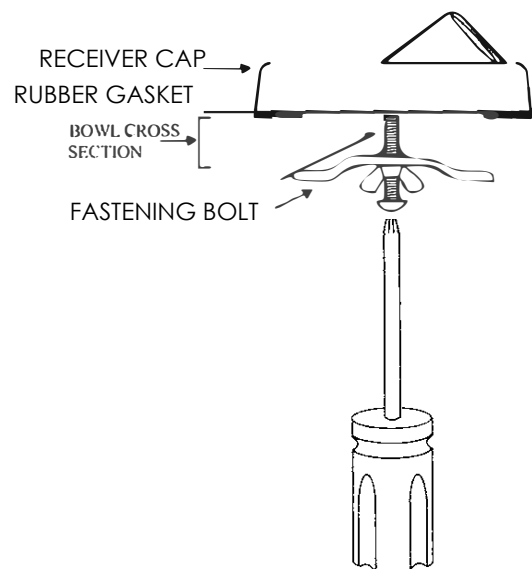
NOTE: Install the Vacuum Breaker as shown. If the Vacuum Breaker is installed backwards, it will interfere with the Spray.



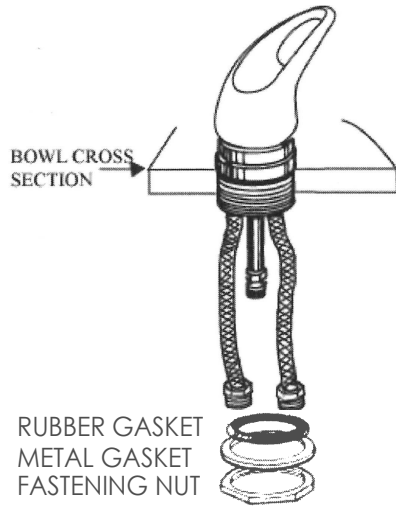
3. Place the Gasket over the flange on the bottom of the Hose Receiver.



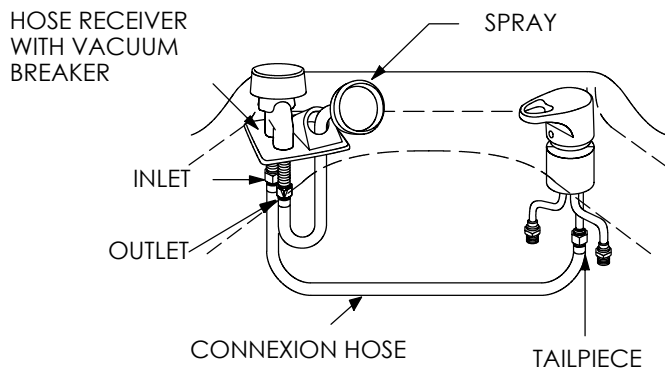
4. Install receiver cap to the sink as following



5. Install the Fixture

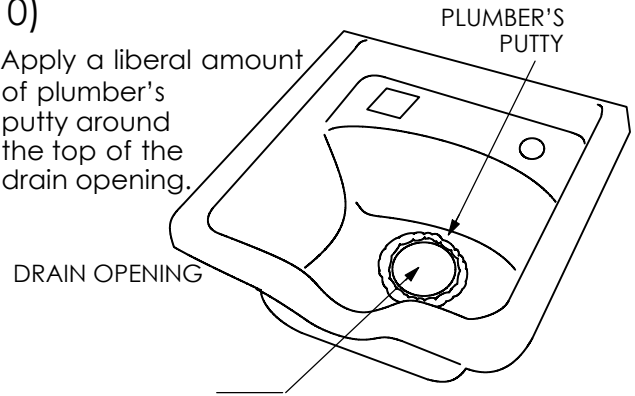


6. Connect one end of the Connection Hose to the inlet side of the Vacuum Breaker. Connect the other end to the Fixture Tailpiece. Attach the Spray Hose connector to the Vacuum Breaker outlet.

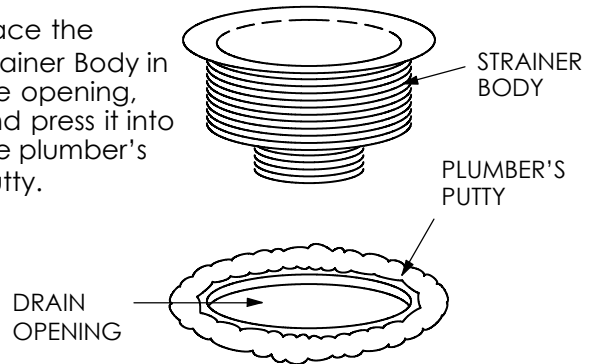


INSTALL THE DRAIN ASSEMBLY (STEPS 7-10)

7. Apply a liberal amount of plumber's putty around the top of the drain opening.

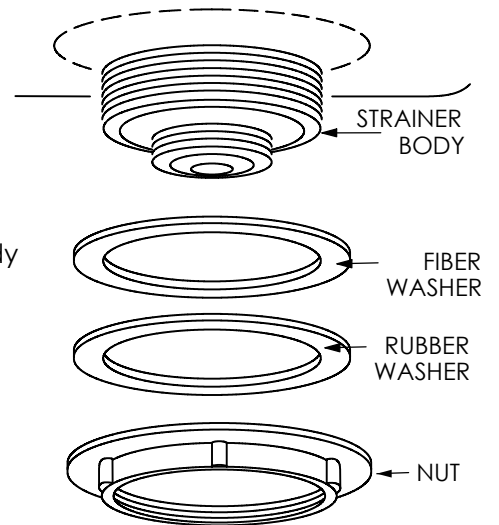


8. Place the Strainer Body in the opening, and press it into the plumber's putty.

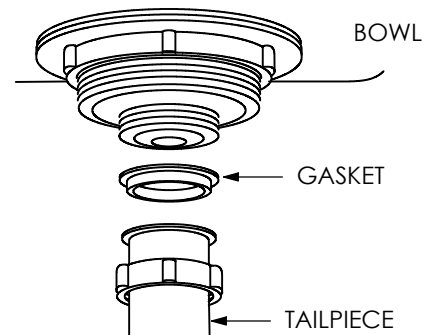


9. From the underside of the Bowl, place the Fiber and Rubber Washers over the Strainer Body with the Nut.

DO NOT OVERTIGHTEN. When the Strainer Body is tightened securely to the Bowl, clean off any excess plumber's putty.

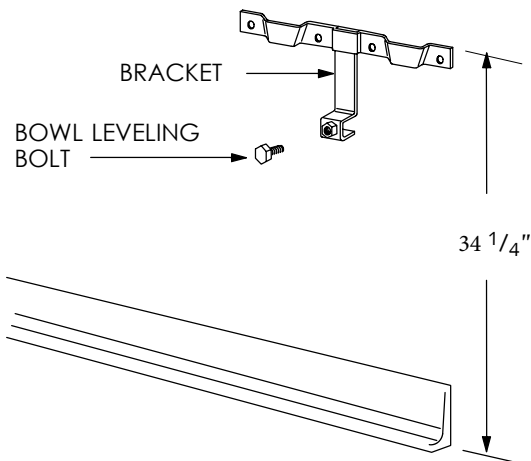


10. Attach the Gasket and Tailpiece to the Strainer Body. DO NOT OVERTIGHTEN.

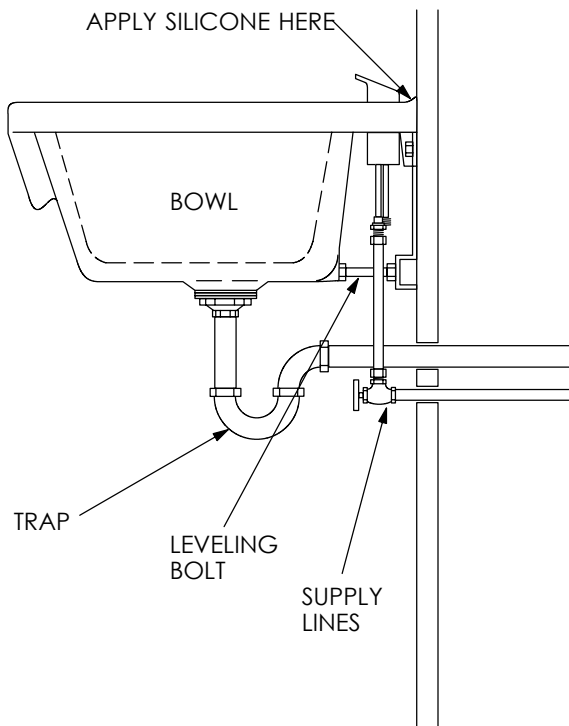


TO MOUNT THE META BOWL TO THE WALL (STEPS 11 THRU 13)

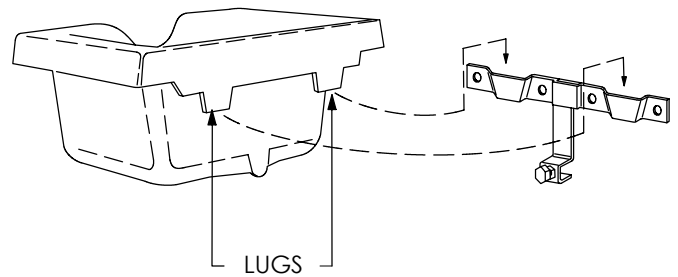
11. Install the Wall Bracket so that the top edge is $34\frac{1}{4}$ " from the finished floor. (This bracket height is suggested to obtain the most suitable neckrest height. However, the bracket height may be varied to suit personal preference.) Be sure that the Bracket is securely fastened to a structural member in the wall. Also, be sure the Bracket is level. Install the Leveling Bolt into the Wall Bracket.



13. Check to be sure the Bowl is level side-to-side and front-to-back. Connect the Fixture to the hot and cold supply lines. Install the trap and connect the drain. Apply a bead of silicone to the back edge of the Bowl to seal it to the wall.



12. Mount the Bowl onto the Wall Bracket by lowering the Lugs on the back of the Bowl into the Wall Bracket.



CLEANING INSTRUCTIONS

Water and soft soap.

With normal care your bowl will last many years.

CLEAN ONLY WITH A NON-ABRASIVE LIQUID CLEANER.

DO NOT USE HARSH ABRASIVES
These will dull the sparkling surface.

ALL PLUMBING TO BE PLANNED AND PERFORMED BY A QUALIFIED PLUMBER

IMPORTANT NOTE:

It is the responsibility of the owner and/or the installer to be sure that the installation conforms to all local plumbing codes and regulations.

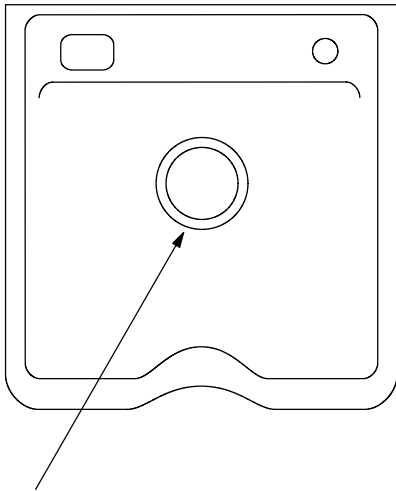
ROUGH-IN PLUMBING SPECIFICATIONS.

This Shampoo Bowl is designed for optimum comfort when the Bowl Neckrest is at 31". However, this may vary to suit individual salon owners. SEE NOTE BELOW.

Lanvain Recommends a Bowl Neckrest height of 31".

To mount the Bowl at this height, locate the bracket height as shown in these specifications.

TOP VIEW



3 1/2" BASKET STRAINER

DIMENSIONS

Width : 18"3/4

Front to back : 19"1/2

Depth : 9"

